

ITEM NO.	PART NUMBER	MATERIAL	QTY.
1	BODY	ASTM A479-316	1
2	BALL	ASTM A479-316	1
3	SEAT	PTFE	2
4	GLAND NUT	ASTM A479-316	1
5	PACKING-1	PTFE	1
6	PACKING-2	PTFE	1
7	WASHER	ASTM A479-316	1
8	HEX NUT	ASTM A479-316	1
9	STEM	ASTM A479-316	1
10	HANDLE	STAINLES STEEL	1

SECTION C-C  
SCALE 1 : 0.8

TITLE:- 1/4" NPT FXF HB SERIES BALL VALVE,2000 PSI WITH LOCKING ARRANGEMENT			
DRN.	PS	SCALE - N.T.S	REV. 00
CHD.	SS	DATE - 04.06.15	PROJ.
APPD.	DM	DRG.NO.- PBV-HB-S-04-FF-LH	

NOTES:-

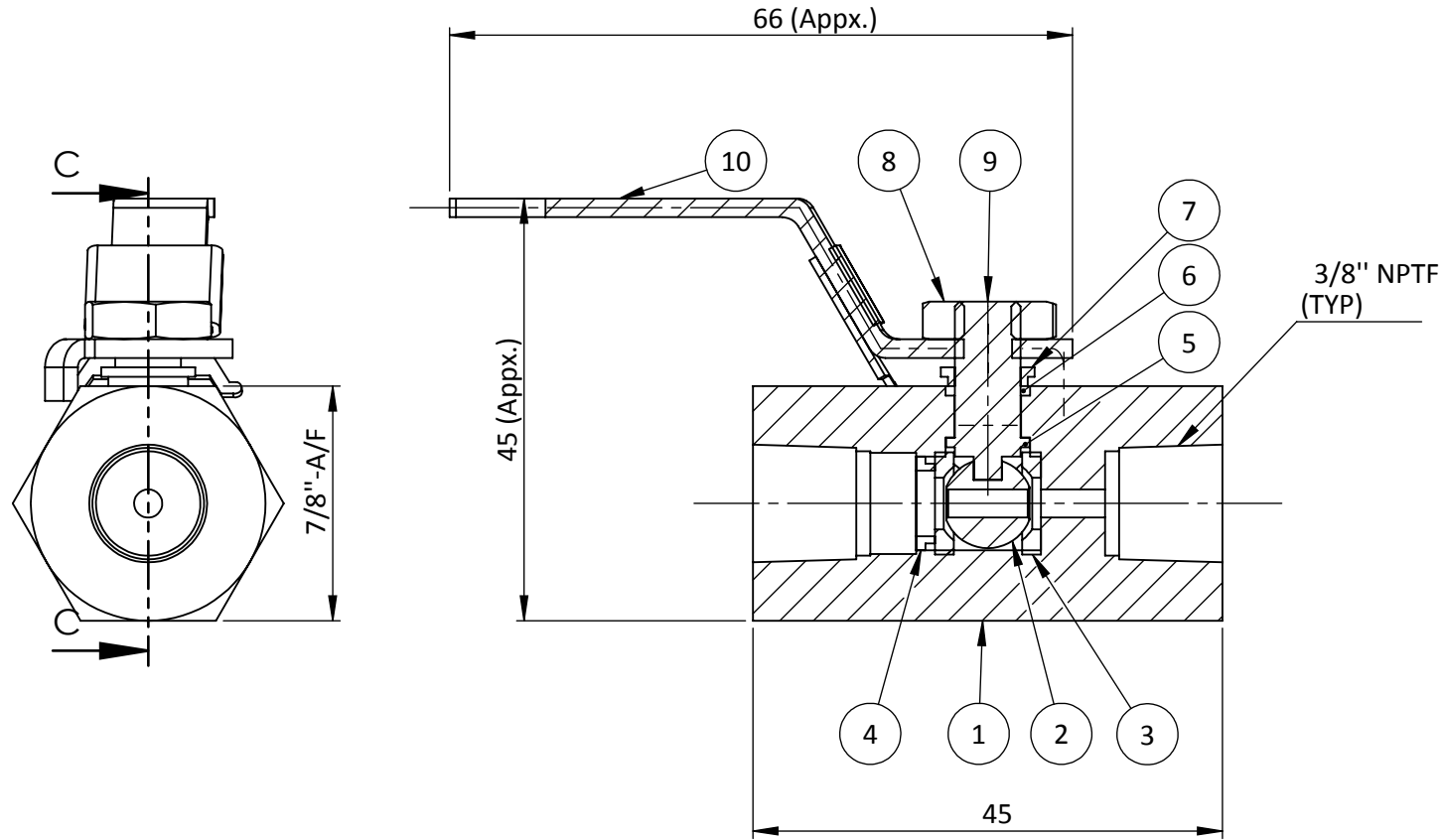
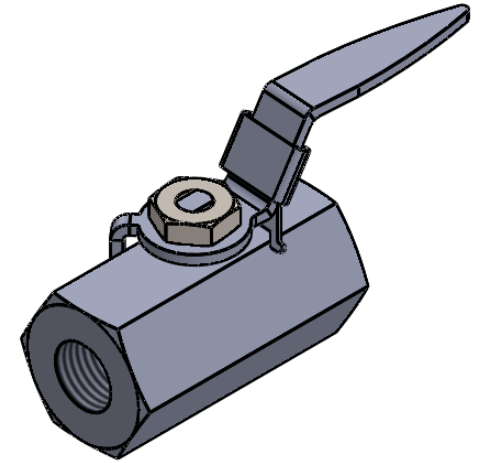
- ALL DIMENSIONS ARE IN MM. UNLESS SPECIFIED.
- UNSPECIFIED GEN TOL. : ±0.5 MM MAX.
- UNSPECIFIED GEN ANG. TOL. : ±0.1° MAX.
- UNSPECIFIED ASLY. TOL. : ±2MM MAX.
- UNSPECIFIED TOL. FOR FORGING : ±2 MM.(IF APPLICABLE)
- WORKING PRESSURE : 2000 PSI @ 3(-40° TO 204°C)

REV.	DESCRIPTION	DRN	CHD	APPD	DATE



**PANAM ENGINEERS LTD**  
GUJARAT - INDIA

SHEET  
1  
OF  
1



ITEM NO.	PART NUMBER	MATERIAL	QTY.
1	BODY	ASTM A479-316	1
2	BALL	ASTM A479-316	1
3	SEAT	PTFE	2
4	GLAND NUT	ASTM A479-316	1
5	PACKING-1	PTFE	1
6	PACKING-2	PTFE	1
7	WASHER	ASTM A479-316	1
8	HEX NUT	ASTM A479-316	1
9	STEM	ASTM A479-316	1
10	HANDLE	STAINLES STEEL	1

SECTION C-C  
SCALE 1 : 0.8

TITLE:- 3/8" NPT FxF HB SERIES BALL VALVE,2000 PSI WITH LOCKING ARRANGEMENT			
DRN.	PS	SCALE - N.T.S	REV. 00
CHD.	SS	DATE - 04.06.15	PROJ.
APPD.	DM	DRG.NO.- PBV-HB-S-06-FF-LH	

NOTES:-

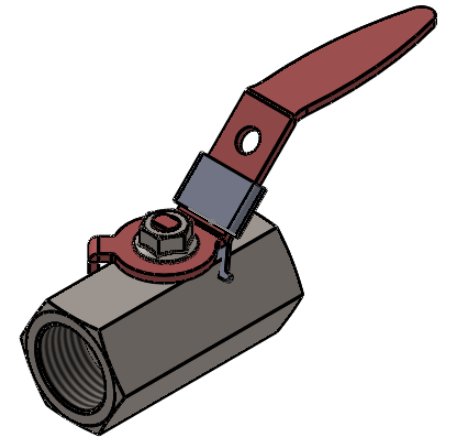
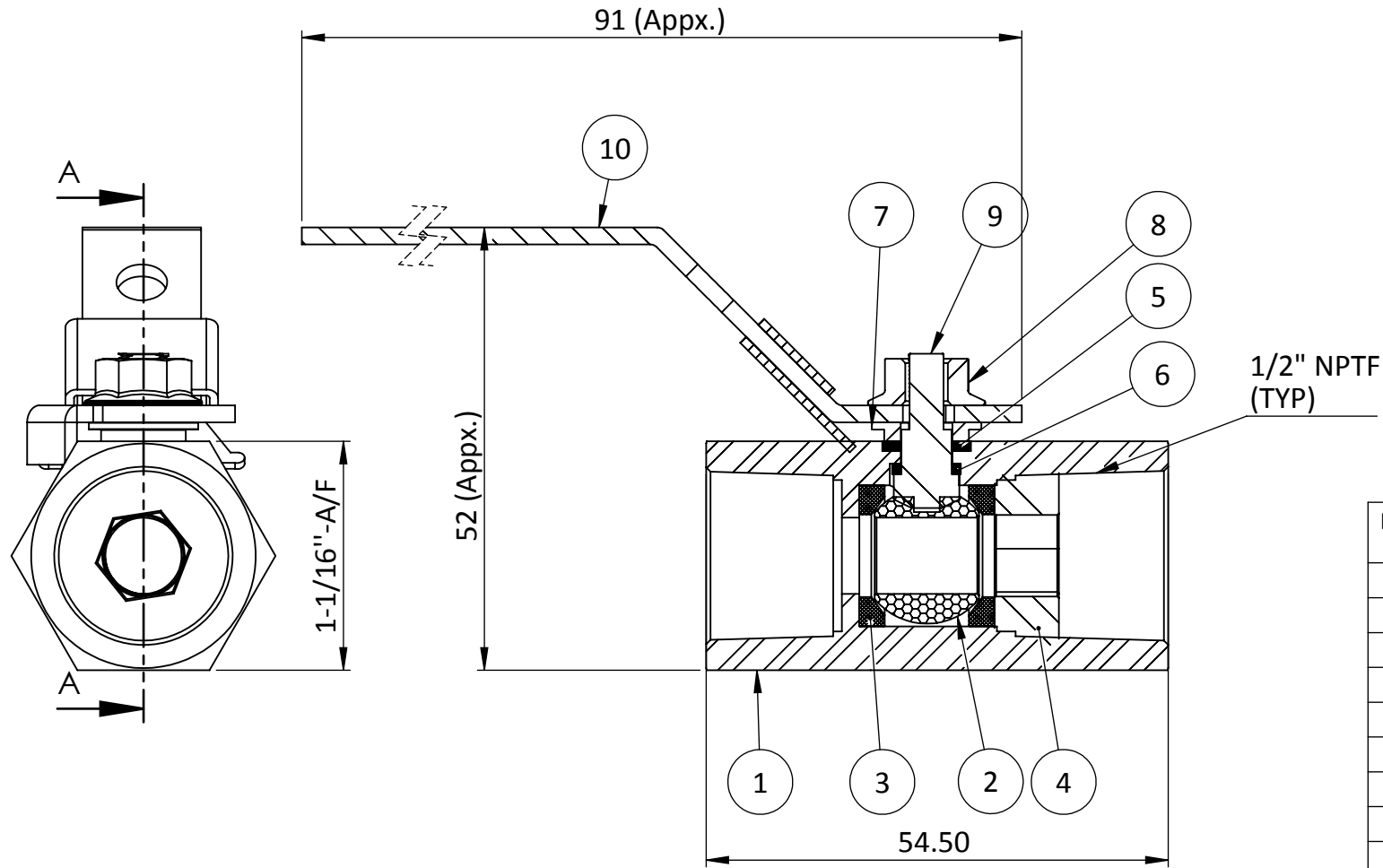
- ALL DIMENSIONS ARE IN MM. UNLESS SPECIFIED.
- UNSPECIFIED GEN TOL. : ±0.5 MM MAX.
- UNSPECIFIED GEN ANG. TOL. : ±0.1° MAX.
- UNSPECIFIED ASLY. TOL. : ±2MM MAX.
- UNSPECIFIED TOL. FOR FORGING : ±2 MM.(IF APPLICABLE)
- WORKING PRESSURE : 2000 PSI @ 3(-40° TO 204°C)

REV.	DESCRIPTION	DRN	CHD	APPD	DATE



**PANAM ENGINEERS LTD**  
GUJARAT - INDIA

SHEET  
1  
OF  
1



ITEM NO.	DESCRIPTION	MATERIAL	QTY.
1	BODY	ASTM A 479-316	1
2	BALL	ASTM A 479-316	2
3	SEAT	TEFLON	1
4	GLAND NUT	ASTM A 479-316	1
5	PACKING-1	TEFLON	1
6	PACKING-2	TEFLON	1
7	WASHER	ASTM A 479-316	1
8	HEX NUT	ASTM A 479-316	1
9	STEM	ASTM A 479-316	1
10	HANDLE	STAINLESS STEEL	1

SECTION A-A

TITLE:- 1/2" NPT FxF HB SERIES BALL VALVE, 2000 PSI WITH LOCKING ARRANGEMENT

DRN.	PS	SCALE -	N.T.S	REV.	00
CHD.	SS	DATE -	04.06.15	PROJ.	
APPD.	DM	DRG.NO.-	PBV-HB-S-08-FF-LH		

NOTES:-

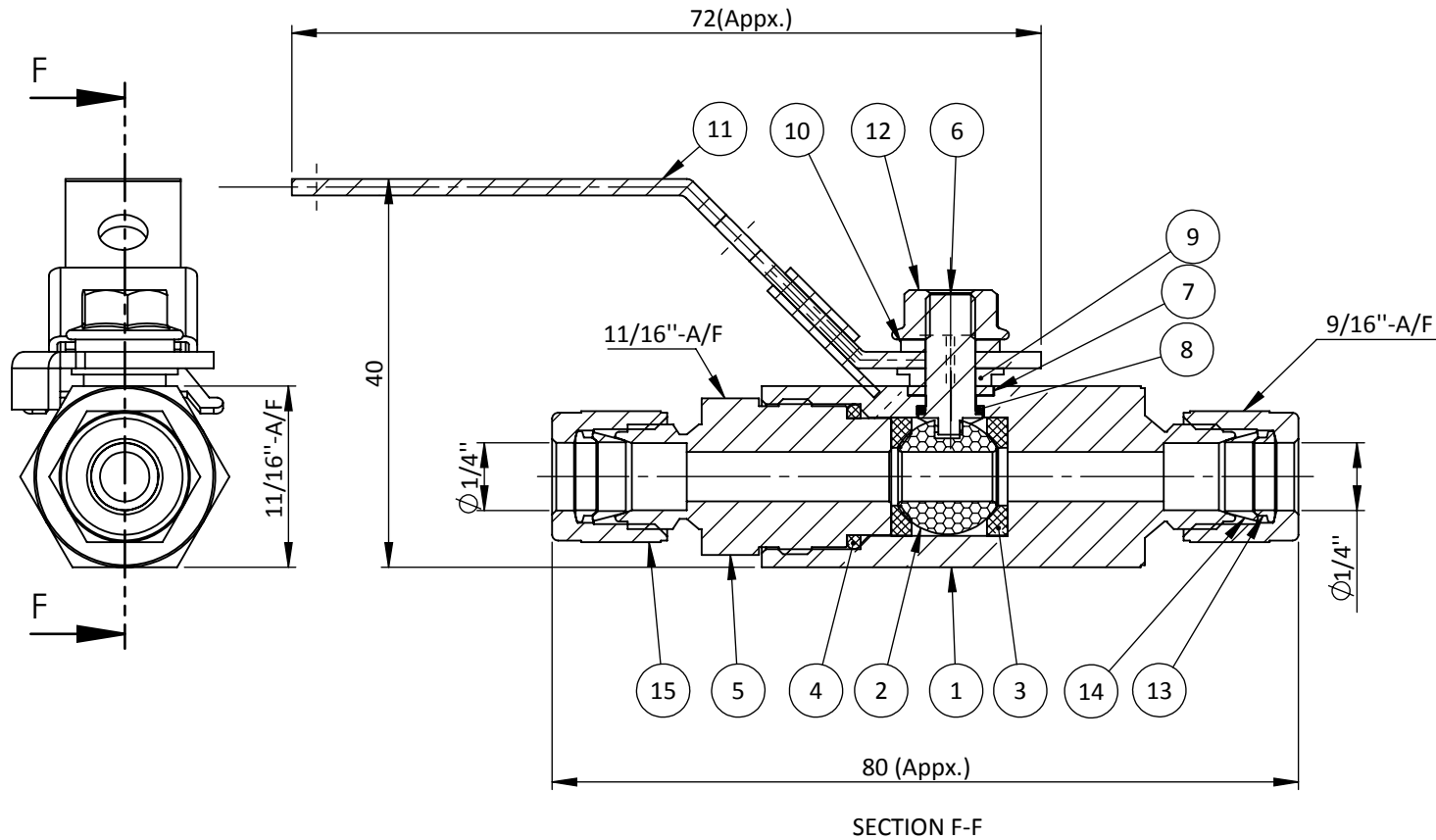
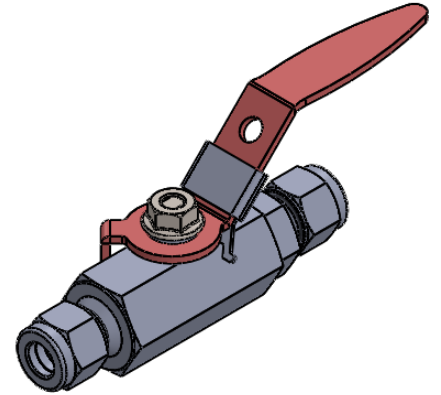
- ALL DIMENSIONS ARE IN MM. UNLESS SPECIFIED.
- UNSPECIFIED GEN TOL. : ±0.5 MM MAX.
- UNSPECIFIED GEN ANG. TOL. : ±0.1° MAX.
- UNSPECIFIED ASLY. TOL. : ±2MM MAX.
- UNSPECIFIED TOL. FOR FORGING : ±2 MM.(IF APPLICABLE)
- WORKING PRESSURE : 2000 PSI @(-40° TO 204° C)

REV.	DESCRIPTION	DRN	CHD	APPD	DATE



**PANAM ENGINEERS LTD**  
GUJARAT - INDIA

SHEET  
1  
OF  
1



ITEM NO.	PART NUMBER	MATERIAL	QTY.
1	BODY	ASTM A 479-316	1
2	BALL	ASTM A 479-316	1
3	SEAT	PTFE	2
4	PACKING GASKET	PTFE	1
5	ADAPTOR	ASTM A 479-316	1
6	STEM	ASTM A 479-316	1
7	STEM PACKING	PTFE	1
8	STEM SEAL	ASTM A 479-316	1
9	GLAND WASHER	ASTM A 479-316	1
10	WASHER	ASTM A 479-316	1
11	HANDLE	STAINLESS STEEL	1
12	LOCK NUT	ASTM A 479-316	1
13	BACK FERRULE	ASTM A 479-316	2
14	FRONT FERRULE	ASTM A 479-316	2
15	NUT	ASTM A 479-316	2

TITLE:-		1/4" OD HB SERIES BALL VALVE, 2000 PSI LOCKING ARRANGEMENT	
DRN.	PS	SCALE -	N.T.S
CHD.	SS	DATE -	21.11.18
APPD.	DM	DRG.NO.-	PBV-HB-S-04-OD-LH
		REV.	00
		PROJ.	

**NOTES:-**

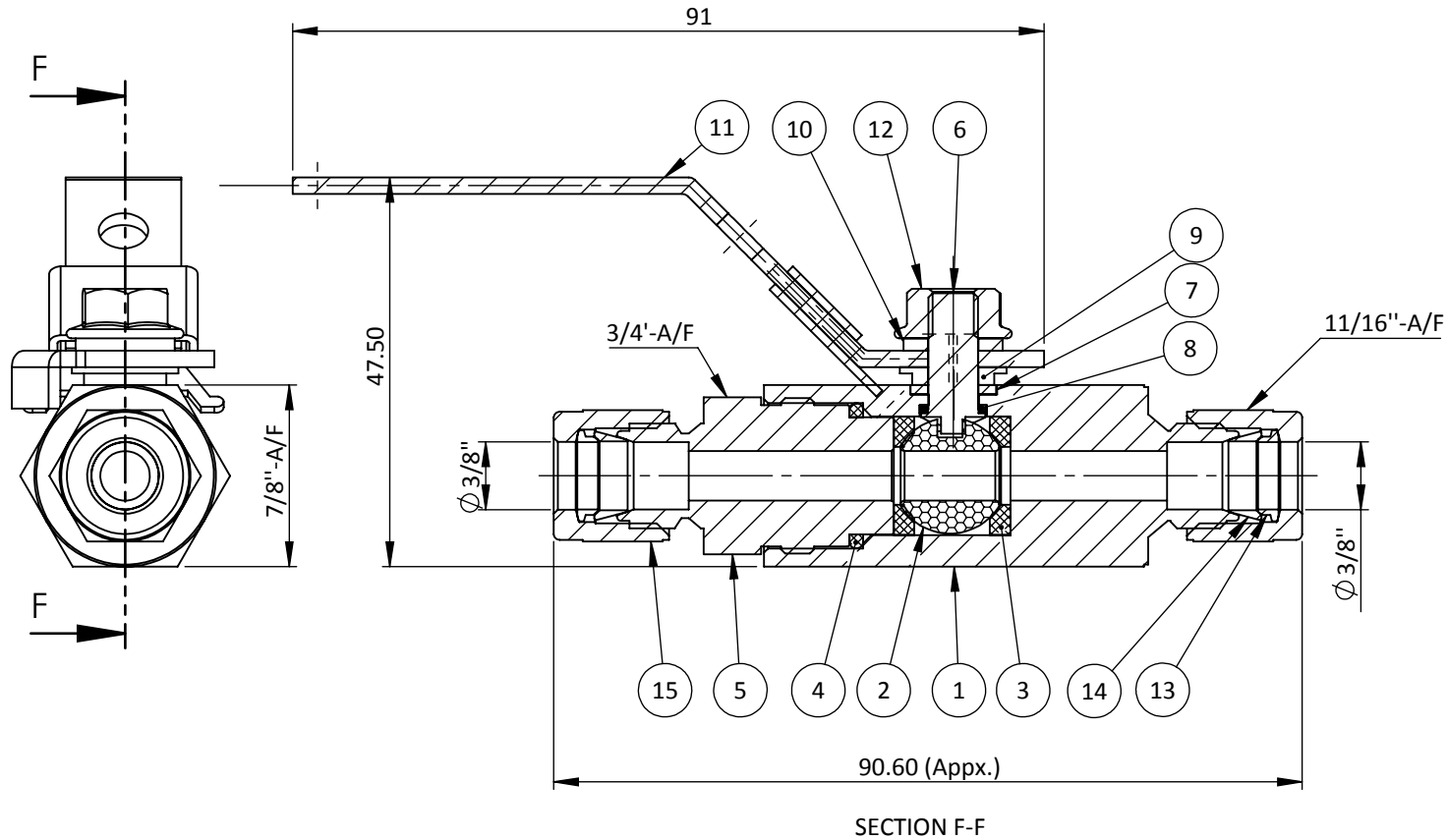
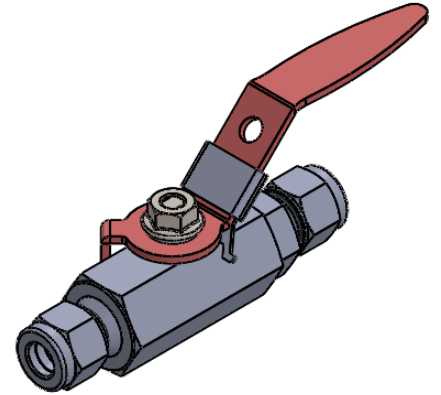
- ALL DIMENSIONS ARE IN MM. UNLESS SPECIFIED.
- UNSPECIFIED GEN TOL. : ±0.5 MM MAX.
- UNSPECIFIED GEN ANG. TOL. : ±0.1° MAX.
- UNSPECIFIED ASLY. TOL. : ±2MM MAX.
- UNSPECIFIED TOL. FOR FORGING : ±2 MM.(IF APPLICABLE)
- WORKING PRESSURE : 2000 PSI @ (-40 °C TO 204 °C)

REV.	DESCRIPTION	DRN	CHD	APPD	DATE



**PANAM ENGINEERS LTD**  
GUJARAT - INDIA

SHEET  
3  
OF  
1



ITEM NO.	PART NUMBER	MATERIAL	QTY.
1	BODY	ASTM A 479-316	1
2	BALL	ASTM A 479-316	1
3	SEAT	PTFE	2
4	PACKING GASKET	PTFE	1
5	ADAPTOR	ASTM A 479-316	1
6	STEM	ASTM A 479-316	1
7	STEM PACKING	PTFE	1
8	STEM SEAL	ASTM A 479-316	1
9	GLAND WASHER	ASTM A 479-316	1
10	WASHER	ASTM A 479-316	1
11	HANDLE	STAINLESS STEEL	1
12	LOCK NUT	ASTM A 479-316	1
13	BACK FERRULE	ASTM A 479-316	2
14	FRONT FERRULE	ASTM A 479-316	2
15	NUT	ASTM A 479-316	2

TITLE:-		3/8" OD HB SERIES BALL VALVE,2000 PSI LOCKING ARRANGEMENT	
DRN.	PS	SCALE -	N.T.S
CHD.	SS	DATE -	21.11.18
APPD.	DM	DRG.NO.-	PBV-HB-S-06-OD-LH
		REV.	00
		PROJ.	

NOTES:-

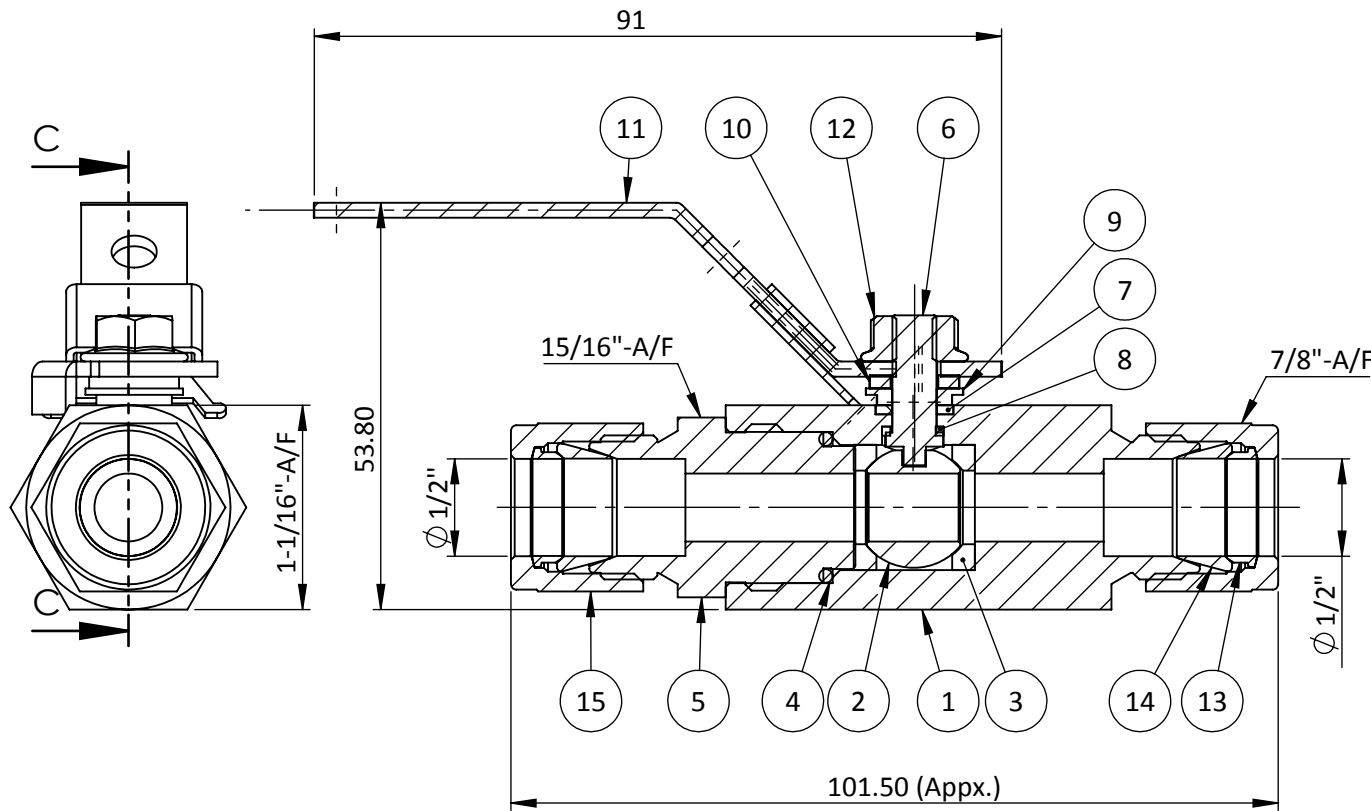
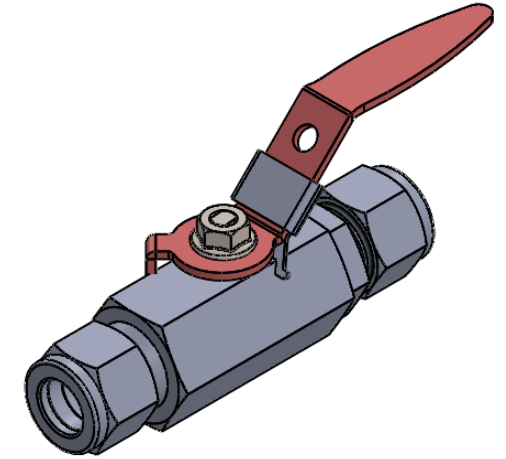
- ALL DIMENSIONS ARE IN MM. UNLESS SPECIFIED.
- UNSPECIFIED GEN TOL. : ±0.5 MM MAX.
- UNSPECIFIED GEN ANG. TOL. : ±0.1° MAX.
- UNSPECIFIED ASLY. TOL. : ±2MM MAX.
- UNSPECIFIED TOL. FOR FORGING : ±2 MM.(IF APPLICABLE)
- WORKING PRESSURE : 2000 PSI @ (-40 °C TO 204 °C)

REV.	DESCRIPTION	DRN	CHD	APPD	DATE



**PANAM ENGINEERS LTD**  
GUJARAT - INDIA

SHEET  
3  
OF  
1



SECTION C-C

ITEM NO.	PART NUMBER	MATERIAL	QTY.
1	BODY	ASTM A 479-316	1
2	BALL	ASTM A 479-316	1
3	SEAT	PTFE	2
4	PACKING GASKET	PTFE	1
5	ADAPTOR	ASTM A 479-316	1
6	STEM	ASTM A 479-316	1
7	STEM PACKING	PTFE	1
8	STEM SEAL	ASTM A 479-316	1
9	GLAND WASHER	ASTM A 479-316	1
10	WASHER	ASTM A 479-316	1
11	HANDLE	STAINLESS STEEL	1
12	LOCK NUT	ASTM A 479-316	1
13	BACK FERRULE	ASTM A 479-316	2
14	FRONT FERRULE	ASTM A 479-316	2
15	NUT	ASTM A 479-316	2

TITLE:- 1/2" OD HB SERIES BALL VALVE, 2000 PSI WITH LOCKING ARRANGEMENT

DRN.	PS	SCALE - N.T.S	REV.	00
CHD.	SS	DATE - 23.11.18	PROJ.	
APPD.	DM	DRG.NO.- PBV-HB-S-08-OD-LH		

NOTES:-

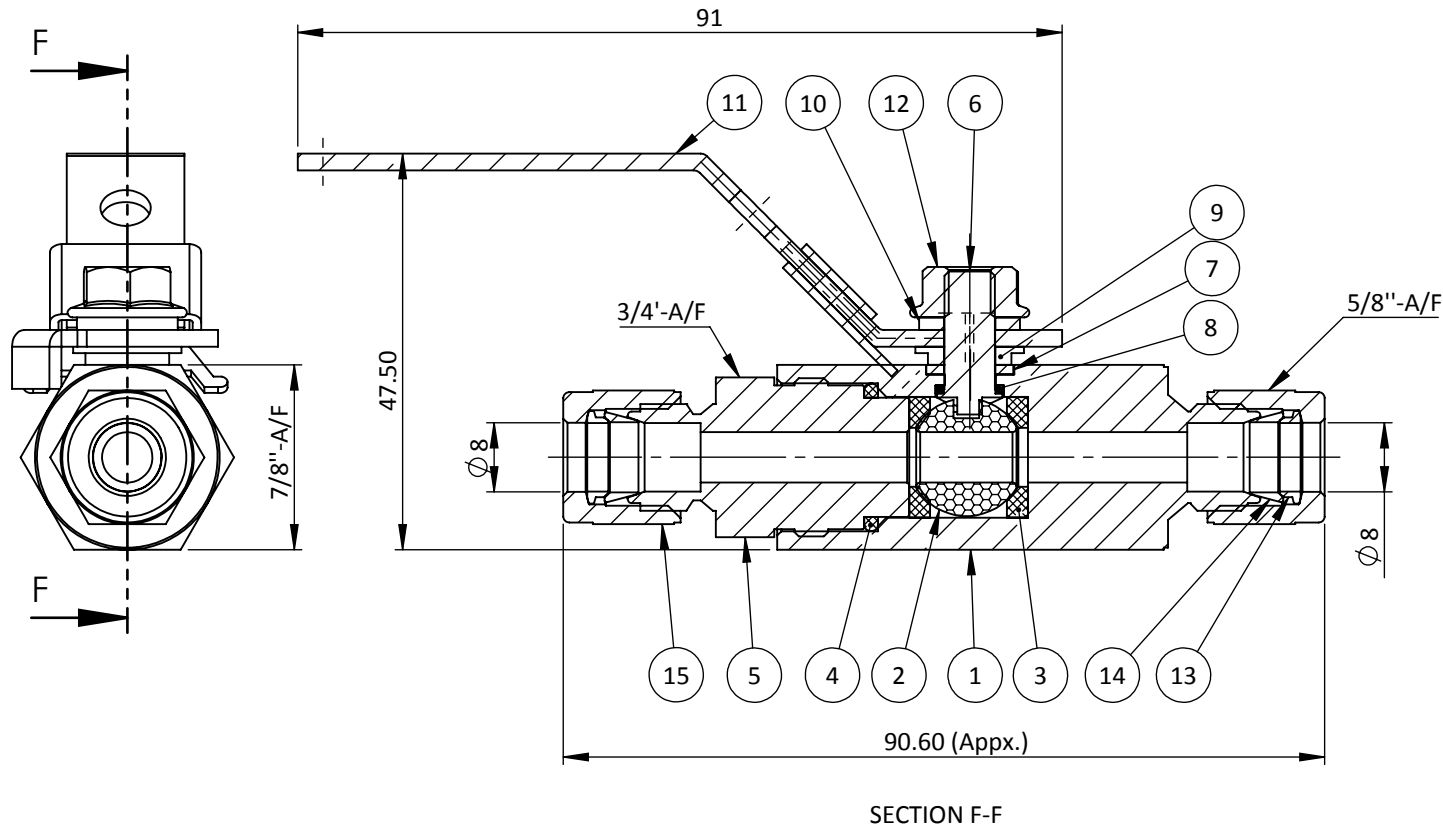
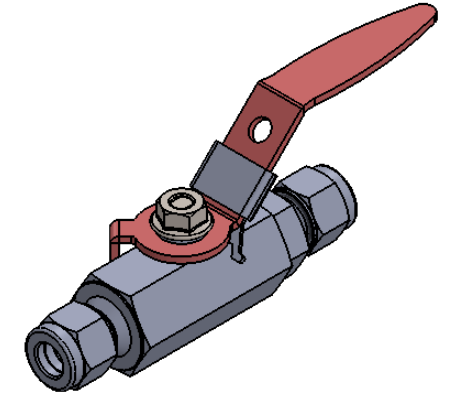
- ALL DIMENSIONS ARE IN MM. UNLESS SPECIFIED.
- UNSPECIFIED GEN TOL. : ±0.5 MM MAX.
- UNSPECIFIED GEN ANG. TOL. : ±0.1° MAX.
- UNSPECIFIED ASLY. TOL. : ±2MM MAX.
- UNSPECIFIED TOL. FOR FORGING : ±2 MM.(IF APPLICABLE)
- WORKING PRESSURE : 2000 PSI @ (-40° C TO 204° C)

REV.	DESCRIPTION	DRN	CHD	APPD	DATE



**PANAM ENGINEERS LTD**  
GUJARAT - INDIA

SHEET  
1  
OF  
1



ITEM NO.	PART NUMBER	MATERIAL	QTY.
1	BODY	ASTM A 479-316	1
2	BALL	ASTM A 479-316	1
3	SEAT	PTFE	2
4	PACKING GASKET	PTFE	1
5	ADAPTOR	ASTM A 479-316	1
6	STEM	ASTM A 479-316	1
7	STEM PACKING	PTFE	1
8	STEM SEAL	ASTM A 479-316	1
9	GLAND WASHER	ASTM A 479-316	1
10	WASHER	ASTM A 479-316	1
11	HANDLE	STAINLESS STEEL	1
12	LOCK NUT	ASTM A 479-316	1
13	BACK FERRULE	ASTM A 479-316	2
14	FRONT FERRULE	ASTM A 479-316	2
15	NUT	ASTM A 479-316	2

TITLE:- 8MM OD HB SERIES BALL VALVE,2000 PSI WITH LOCKING ARRANGEMENT			
DRN.	PS	SCALE - N.T.S	REV. 00
CHD.	SS	DATE - 21.11.18	PROJ.
APPD.	DM	DRG.NO.- PBV-HB-S-M08-OD-LH	

NOTES:-

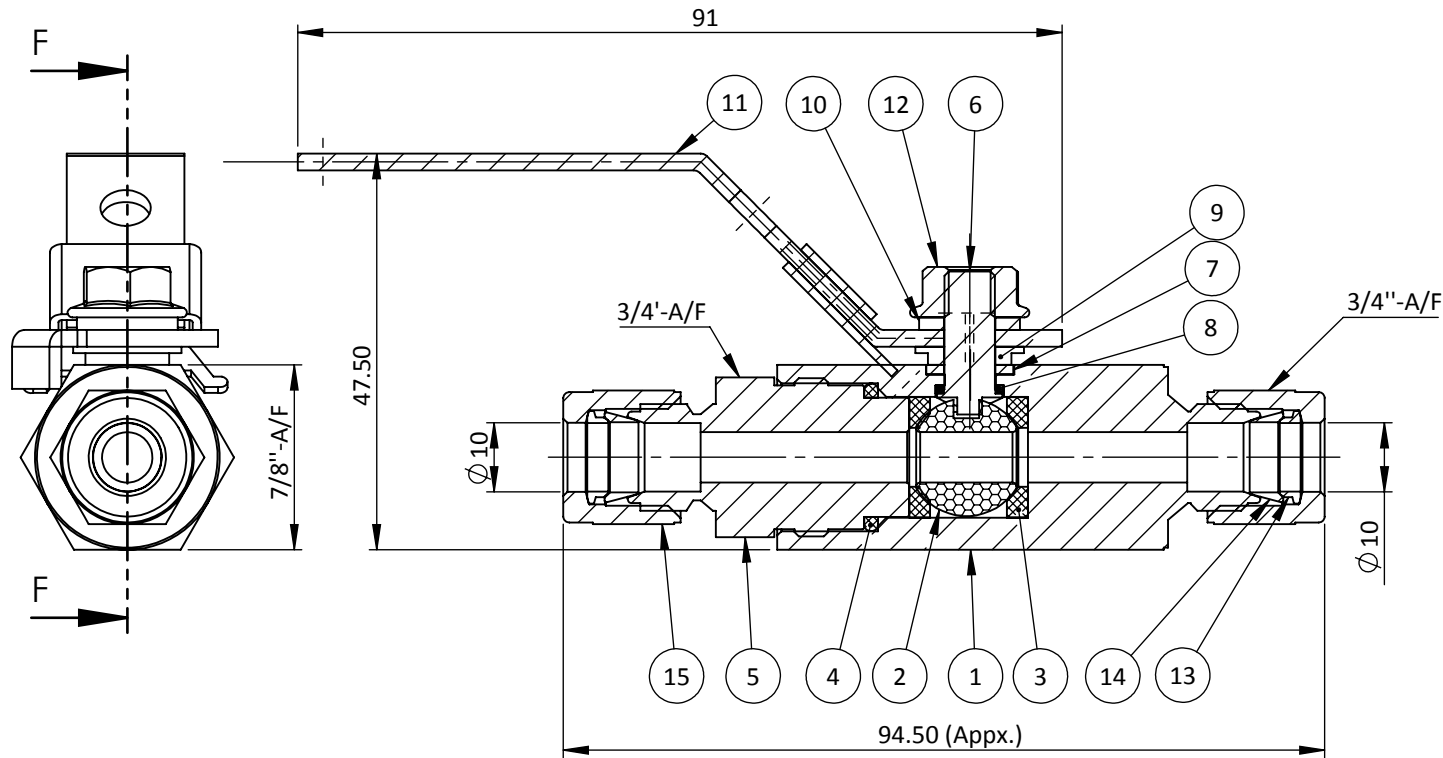
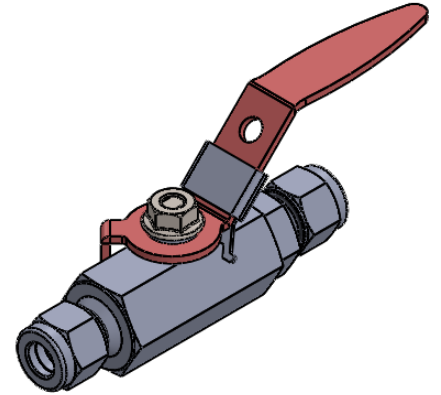
- ALL DIMENSIONS ARE IN MM. UNLESS SPECIFIED.
- UNSPECIFIED GEN TOL. : ±0.5 MM MAX.
- UNSPECIFIED GEN ANG. TOL. : ±0.1° MAX.
- UNSPECIFIED ASLY. TOL. : ±2MM MAX.
- UNSPECIFIED TOL. FOR FORGING : ±2 MM.(IF APPLICABLE)
- WORKING PRESSURE : 2000 PSI @ (-40 °C TO 204 °C)

REV.	DESCRIPTION	DRN	CHD	APPD	DATE



**PANAM ENGINEERS LTD**  
GUJARAT - INDIA

SHEET  
1  
OF  
1



SECTION F-F

ITEM NO.	PART NUMBER	MATERIAL	QTY.
1	BODY	ASTM A 479-316	1
2	BALL	ASTM A 479-316	1
3	SEAT	PTFE	2
4	PACKING GASKET	PTFE	1
5	ADAPTOR	ASTM A 479-316	1
6	STEM	ASTM A 479-316	1
7	STEM PACKING	PTFE	1
8	STEM SEAL	ASTM A 479-316	1
9	GLAND WASHER	ASTM A 479-316	1
10	WASHER	ASTM A 479-316	1
11	HANDLE	STAINLESS STEEL	1
12	LOCK NUT	ASTM A 479-316	1
13	BACK FERRULE	ASTM A 479-316	2
14	FRONT FERRULE	ASTM A 479-316	2
15	NUT	ASTM A 479-316	2

TITLE:- 10MM OD HB SERIES BALL VALVE,2000 PSI WITH LOCKING ARRANGEMENT

DRN.	PS	SCALE - N.T.S	REV.	00
CHD.	SS	DATE - 21.11.18	PROJ.	
APPD.	DM	DRG.NO.- PBV-HB-S-M10-OD-LH		

NOTES:-

- ALL DIMENSIONS ARE IN MM. UNLESS SPECIFIED.
- UNSPECIFIED GEN TOL. : ±0.5 MM MAX.
- UNSPECIFIED GEN ANG. TOL. : ±0.1° MAX.
- UNSPECIFIED ASLY. TOL. : ±2MM MAX.
- UNSPECIFIED TOL. FOR FORGING : ±2 MM.(IF APPLICABLE)
- WORKING PRESSURE : 2000 PSI @ (-40 °C TO 204 °C)

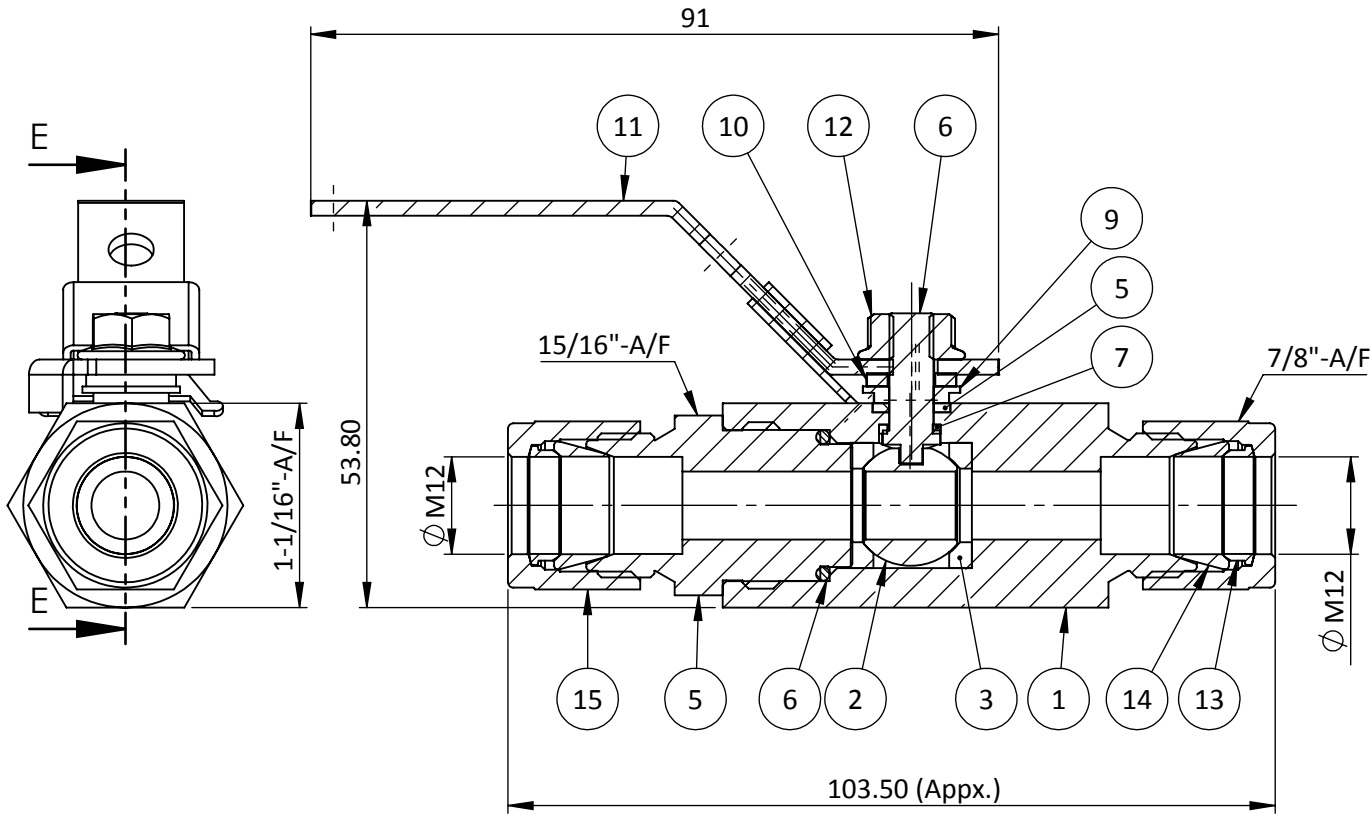
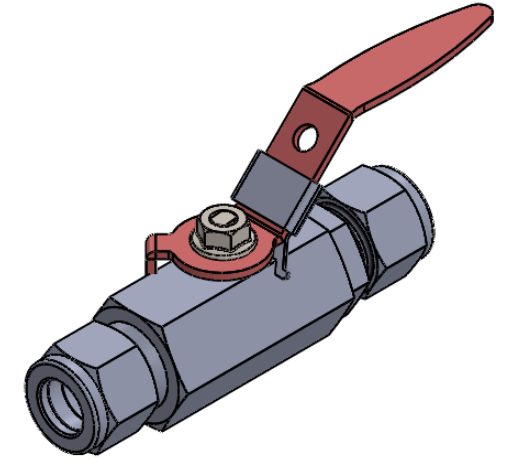
REV.	DESCRIPTION	DRN	CHD	APPD	DATE



**PANAM ENGINEERS LTD**  
GUJARAT - INDIA

SHEET  
2  
OF  
1





SECTION E-E

ITEM NO.	PART NUMBER	MATERIAL	QTY.
1	BODY	ASTM A 479-316	1
2	BALL	ASTM A 479-316	1
3	SEAT	PTFE	2
4	PACKING GASKET	PTFE	1
5	ADAPTOR	ASTM A 479-316	1
6	STEM	ASTM A 479-316	1
7	STEM PACKING	PTFE	1
8	STEM SEAL	ASTM A 479-316	1
9	GLAND WASHER	ASTM A 479-316	1
10	WASHER	ASTM A 479-316	1
11	HANDLE	STAINLESS STEEL	1
12	LOCK NUT	ASTM A 479-316	1
13	BACK FERRULE	ASTM A 479-316	2
14	FRONT FERRULE	ASTM A 479-316	2
15	NUT	ASTM A 479-316	2

NOTES:-

- ALL DIMENSIONS ARE IN MM. UNLESS SPECIFIED.
- UNSPECIFIED GEN TOL. : ±0.5 MM MAX.
- UNSPECIFIED GEN ANG. TOL. : ±0.1° MAX.
- UNSPECIFIED ASLY. TOL. : ±2MM MAX.
- UNSPECIFIED TOL. FOR FORGING : ±2 MM.(IF APPLICABLE)
- WORKING PRESSURE : 2000 PSI @ (-40° C TO 204° C)

REV.	DESCRIPTION	DRN	CHD	APPD	DATE

TITLE:- 12 MM OD HB SERIES BALL VALVE, 2000 PSI WITH LOCKING ARRANGEMENT					
DRN.	PS	SCALE -	N.T.S	REV.	00
CHD.	SS	DATE -	23.11.18	PROJ.	
APPD.	DM	DRG.NO.-	PBV-HB-S-M12-OD-LH		
				<b>PANAM ENGINEERS LTD</b> GUJARAT - INDIA	
					SHEET 2 OF 1